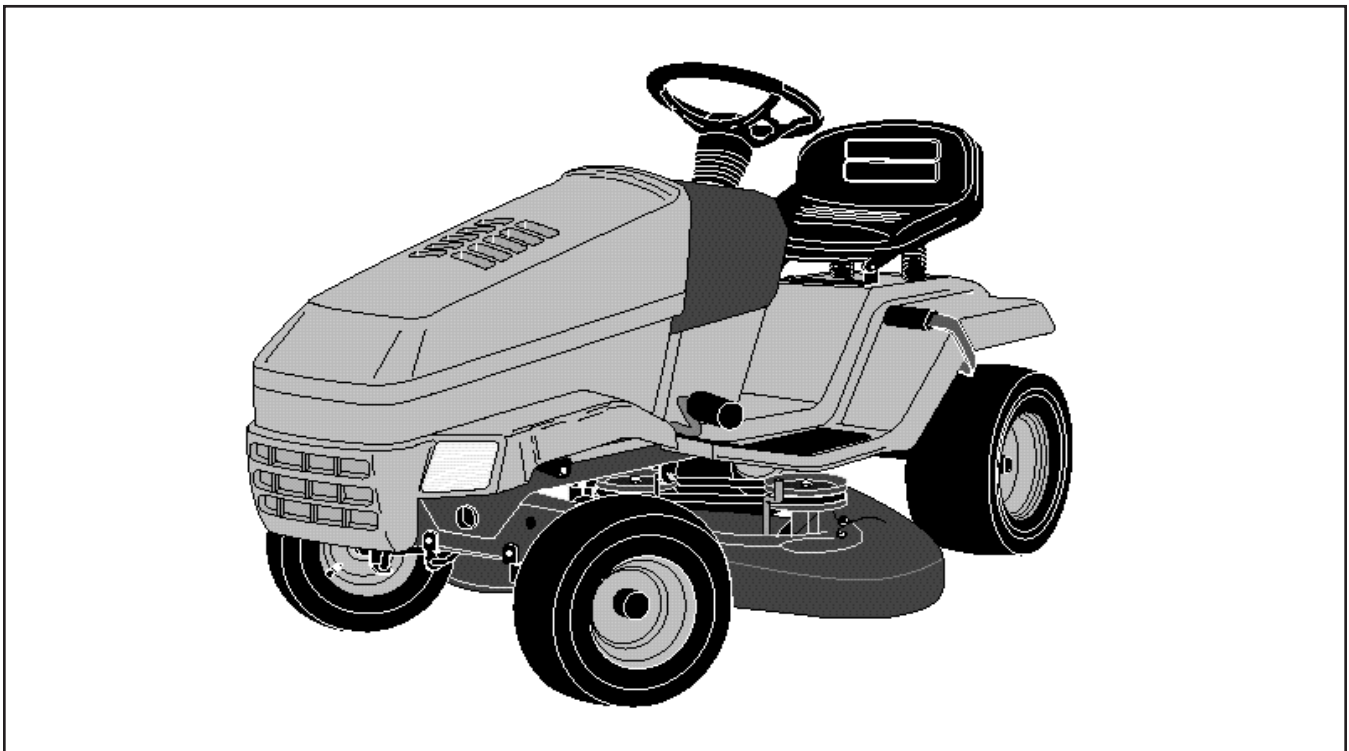


LR 125



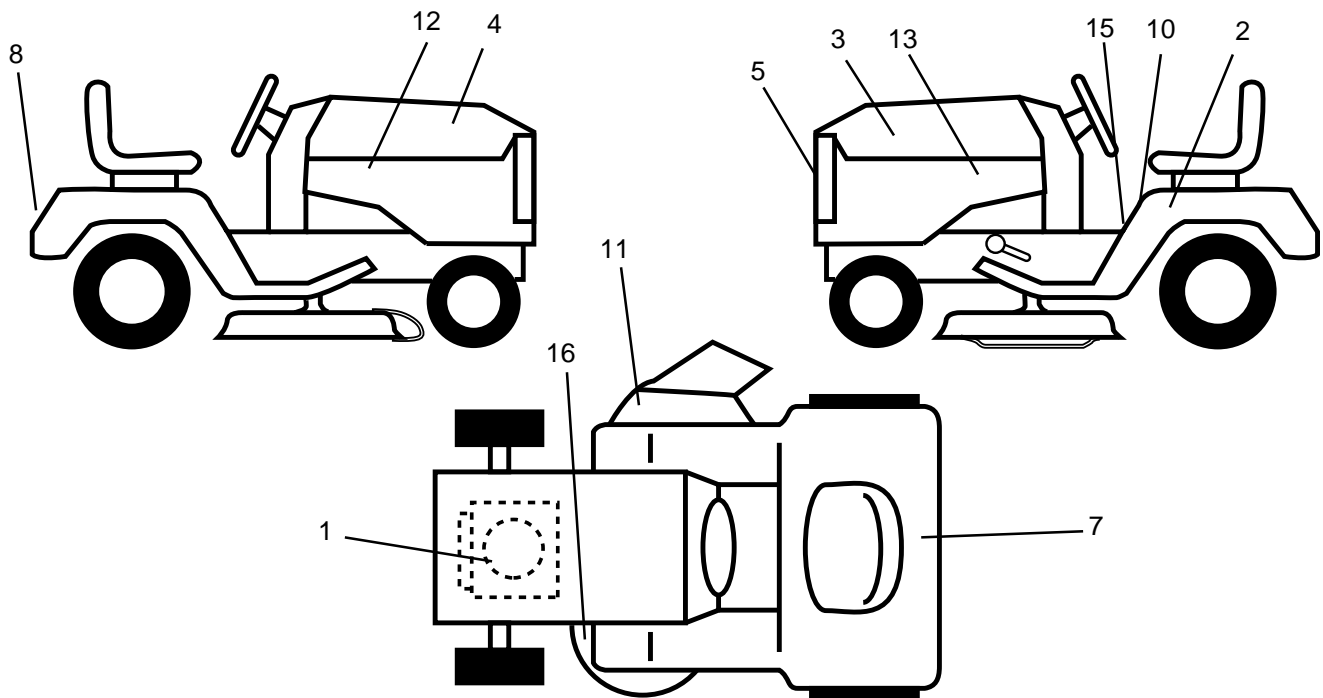
Ride Mower

954001202A

REPAIR PARTS

12.5 HP 38" TRACTOR - - MODEL NUMBER LR125 (954001202A)

DECALS

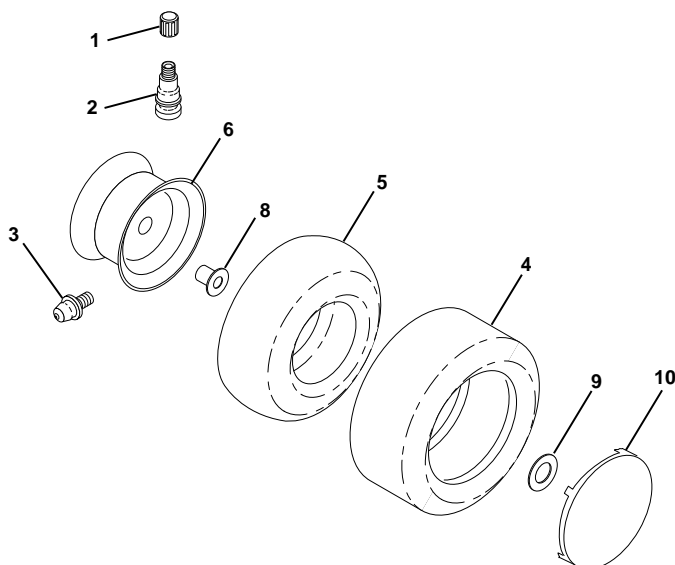


KEY NO.	PART NO.	DESCRIPTION
1	532140013	Decal, Engine, HP
2	532135073	Decal, Indicator
3	532140206	Decal, Hood, L.H.
4	532140205	Decal, Hood, R.H.
5	532140213	Decal, Logo, Grill
7	532121549	Decal, Caution Battery
8	532131582	Decal, Logo, Fender
10	532133795	Decal, Fender, Caution
11	532137259	Decal, Warning, Multi-Language

KEY NO.	PART NO.	DESCRIPTION
12	532140867	Decal, Hood, Insert, R.H.
13	532140866	Decal, Hood, Insert, L.H.
15	532138269	Decal, Instruction, Operating
16	532136832	Decal, V-Belt Schematic
--	532141457	Manual, English
--	532141474	Manual, French

Available accessories not included with tractor:
 -- C38 Grass Catcher
 -- MK380 Mulch Kit

WHEELS & TIRES



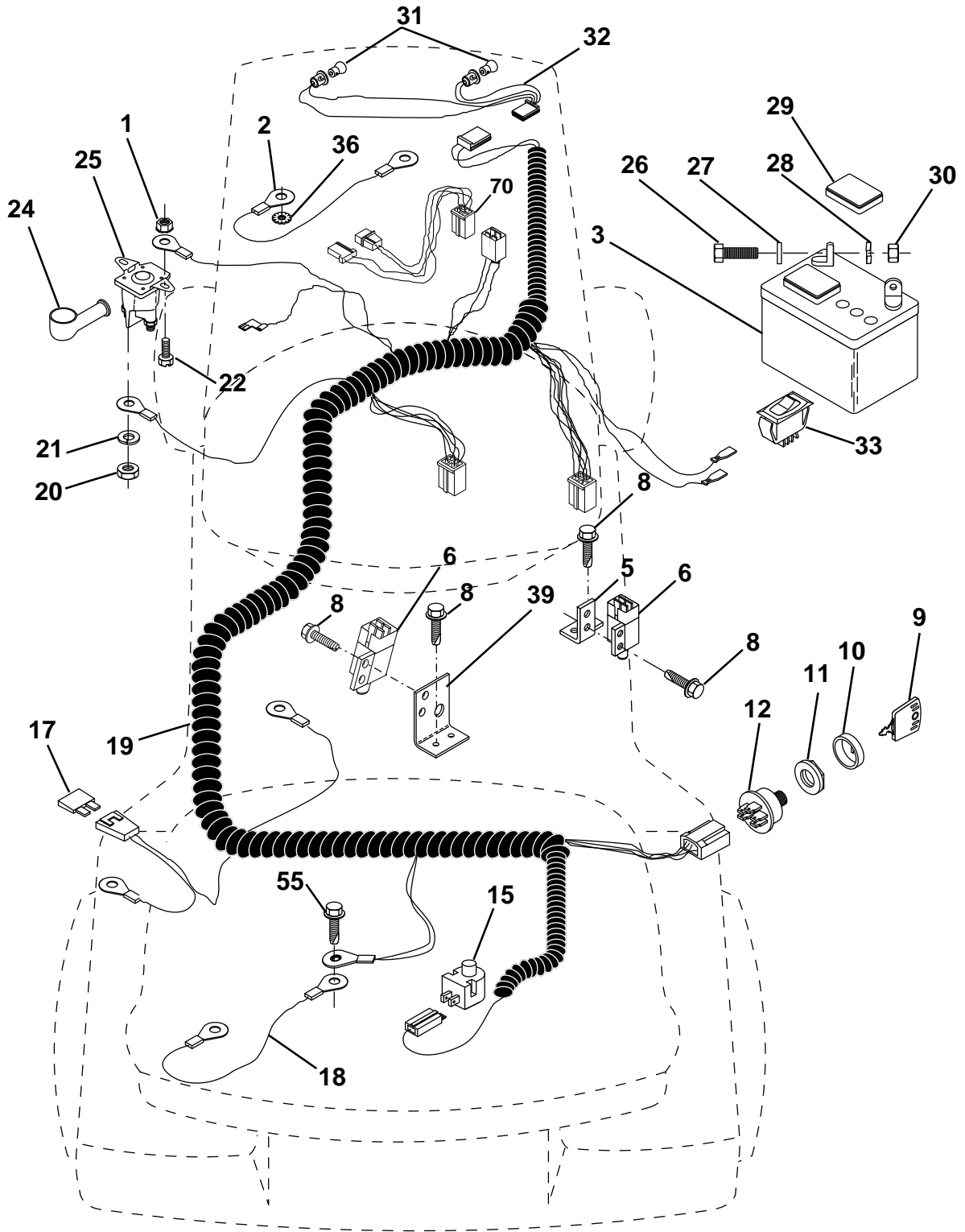
KEY NO.	PART NO.	DESCRIPTION
1	532059192	Cap, Valve Stem
2	532065139	Stem, Valve
3	532124957	Fitting, Grease (Front Wheels Only)
4	532137422	Tire, Front
	532132703	Tire, Rear
5	532059904	Tube, Front Tire
	(Optional - Service Item Only)	
	532008134	Tube, Rear Tire
	(Optional - Service Item Only)	
6	532140298	Rim, Front
	532140453	Rim, Rear
8	532124959	Bearing Flange
9	532121748	Washer 25/32 x 1-5/8 x 16 Gauge
10	532124577	Cover, Wheel, Front, 6"
	532124578	Cover, Wheel, Rear, 8"

NOTE: All component dimensions given in U.S. inches
 1 inch = 25.4 mm

REPAIR PARTS

12.5 HP 38" TRACTOR - - MODEL NUMBER LR125 (954001202A)

ELECTRICAL



REPAIR PARTS

12.5 HP 38" TRACTOR - - MODEL NUMBER LR125 (954001202A)

ELECTRICAL

KEY NO.	PART NO.	DESCRIPTION
1	873640400	Nut, Keps Blk Hex 1/4-20
2	532108423	Assembly, Cable
3	532133909	Battery
5	532108236	Bracket, Switch
6	532109553	Switch, Interlock, 4 Terminal
8	817021008	Screw, Hex Head, Self-Tapping #10-24 x 1/2
9	532140401	Key, Molded
10	532141226	Cover, Ignition Key
11	532140400	Nut, Ignition
12	532144921	Switch, Ignition
15	532121305	Switch, Plunger
17	532108824	Fuse
18	532128353	Assembly, Cable
19	532143132	Harness, Ignition
20	873350400	Nut, Hex, Jam 1/4-20
21	810090400	Washer, Lock 1/4
22	874780408	Bolt, Hex, Fin. 1/4-20 UNC x 1/2 Grade 5
24	532131563	Cover, Terminal
25	532138406	Solenoid
26	874760412	Bolt, Hex Head 1/4-20 UNC x 3/4
27	819091016	Washer 9/32 x 5/8 x 16 Gauge
28	810040400	Washer, Lock 1/4
29	532121264	Cap, Battery
30	873220400	Nut, Hex, Fin. 1/4-20 UNC
31	532004152	Bulb, Light
32	532142881	Harness, Headlight
33	532110712	Switch, Light
36	811150400	Washer, Lock, Internal Tooth 1/4
39	532141735	Bracket, Switch Clutch
55	817490508	Screw Thdrol 5/16-18 x 1/2
70	532140422	Harness Engine

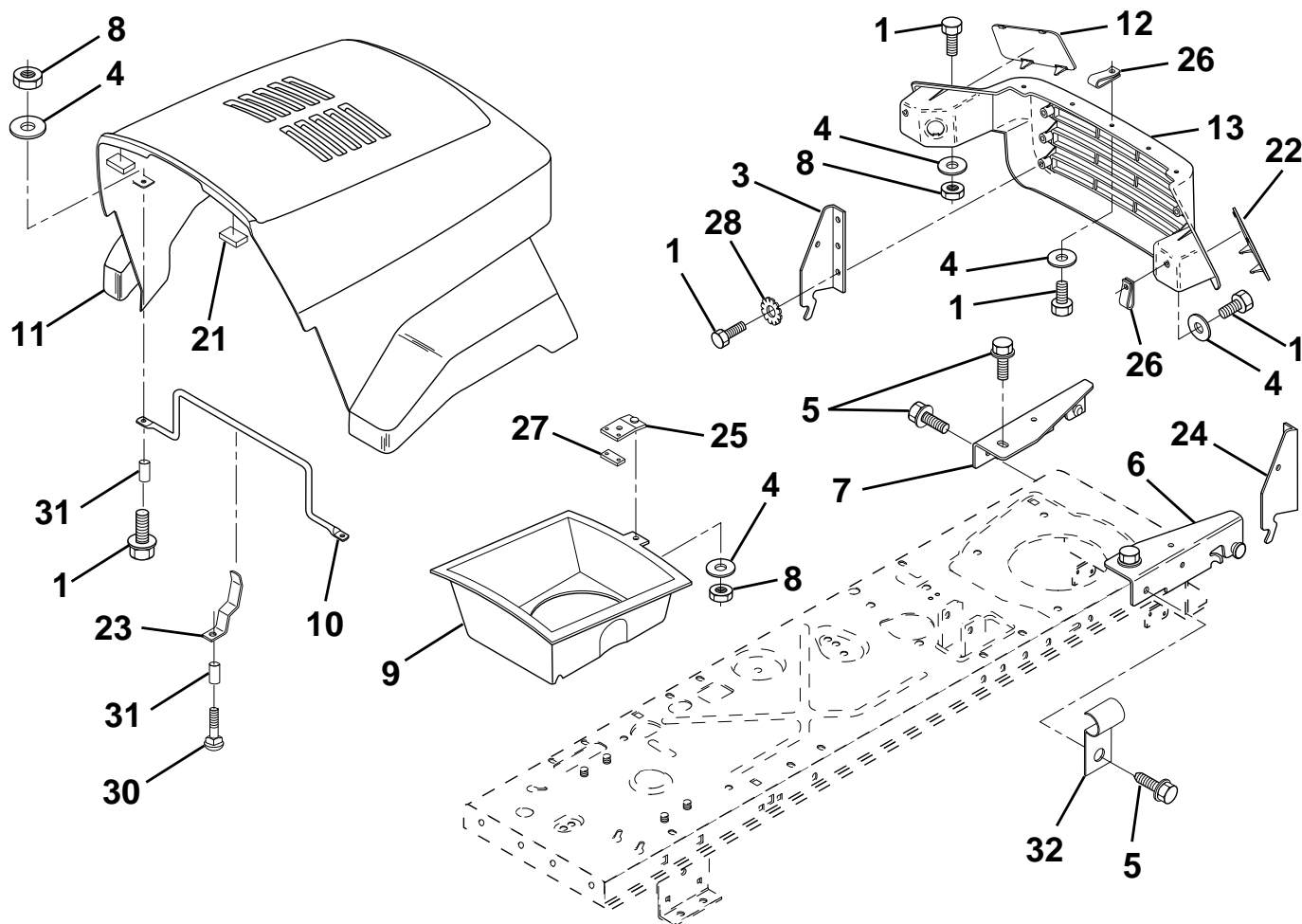
NOTE: All component dimensions given in U.S. inches
1 inch = 25.4 mm

HARDWARE SHOWN LARGER FOR EASIER IDENTIFICATION

REPAIR PARTS

12.5 HP 38" TRACTOR - - MODEL NUMBER LR125 (954001202A)

HOOD



KEY NO.	PART NO.	DESCRIPTION
1	874780410	Bolt Fin Hex 1/4-20 x 5/8
3	532128445	Bracket Pivot Hood LH
4	819091016	Washer Flat 1/4
5	817490512	Screw Thdrol 5/16-18 x 3/4
6	532140051	Bracket Asm. Pivot Hood RH
7	532140050	Bracket Asm. Pivot Hood LH
8	873220400	Nut Fin Hex 1/4-20
9	532123840	Duct Air Hood
10	532130850	Brace Hood
11	532140142	Hood
12	532130986	Lens LH
13	532130984	Grille
21	532126938	Bumper Hood

KEY NO.	PART NO.	DESCRIPTION
22	532130985	Lens RH
23	532139969	Latch Hood
24	532142873	Bracket Pivot Hood RH
25	532138740	Clip, Duct Air
26	532052921	Clip, Tinnerman
27	532131028	Clip, Tinnerman
28	811050400	Washer Lock Ext Tooth
30	874780424	Bolt Hex Fin 1/4-20 x 1-1/2
31	532138748	Spacer
32	532124996	Clip Line Fuel

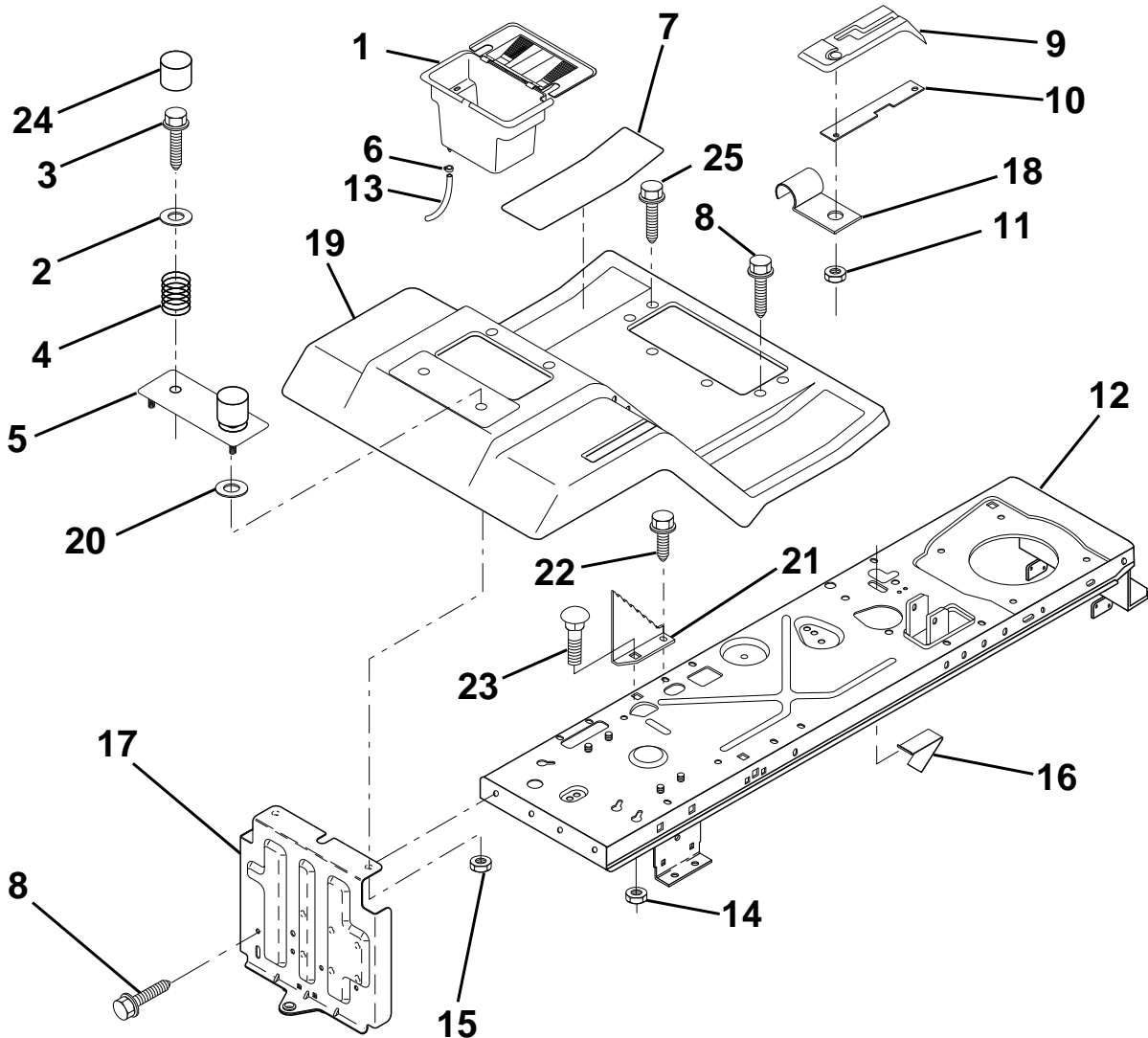
NOTE: All component dimensions given in U.S. inches
1 inch = 25.4 mm

HARDWARE SHOWN LARGER FOR EASIER IDENTIFICATION

REPAIR PARTS

12.5 HP 38" TRACTOR - - MODEL NUMBER LR125 (954001202A)

FENDER/CHASSIS



KEY NO.	PART NO.	DESCRIPTION
1	532129965	Case Asm. Battery
2	819132012	Washer 13/32 x 1-1/4 x 12 Ga.
3	817490612	Screw Thdrol. 3/8-16 x 3/4
4	532124181	Spring seat
5	532125142	Plate Asm. Pnt Battery Fender
6	532109596	Clamp Hose Olive
7	532126700	Pad Footrest Rubber Deluxe
8	817490512	Screw Thdrol. 5/16-18 x 3/4
9	532126995	Console Shf. 6sp W/Ign.
10	532139783	Plate Lock Shift
11	532124346	Nut Self Thd. Wsh-Hd 1/4
12	532145190	Chassis Asm. Weldment
13	532109238	Tube Plastic
14	873800500	Nut Lock Hex W/Ins 5/16-18

KEY NO.	PART NO.	DESCRIPTION
15	873640400	Nut Keps Blk Hex 1/4-20 UNC
16	532141736	Switch Activator
17	532140782	Drawbar Asm.
18	532126470	Clip Insulated
19	532141366	Fend/Foot Asm. Pnt Shf. Fnd.
20	819091413	Washer 9/32 x 7/8 x 13 Ga.
21	532140297	Bracket Stop Depth
22	817490508	Screw Thdrol 5/16-18 x 1/2
23	872110506	Bolt Rdhdsqnk. 5/16-18 x 3/4
24	532124238	Cap Spring Seat
25	817490516	Scr-Hex Wsh Rol 5/16-18 x 1

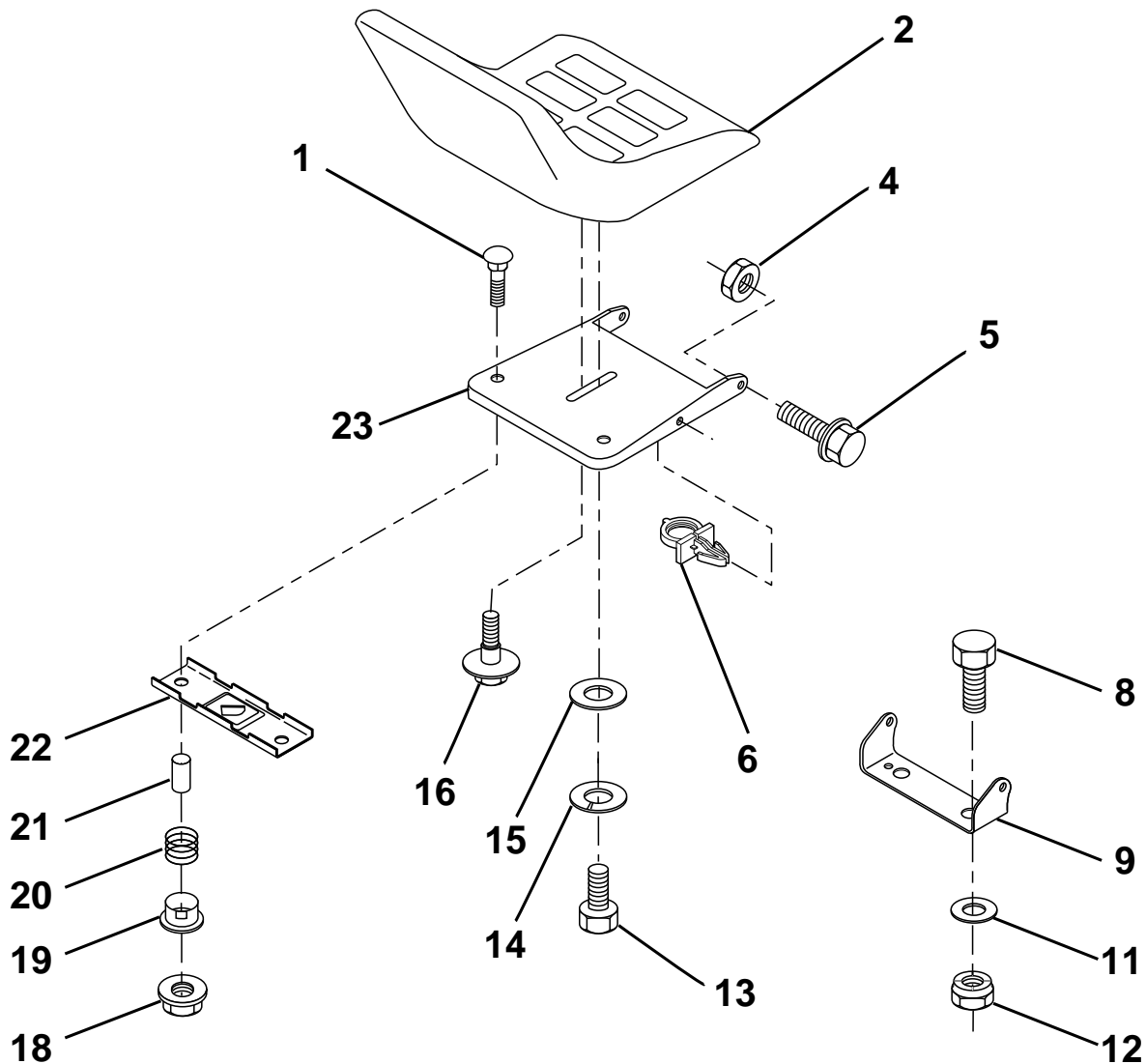
NOTE: All component dimensions given in U.S. inches
1 inch = 25.4 mm

HARDWARE SHOWN LARGER FOR EASIER IDENTIFICATION

REPAIR PARTS

12.5 HP 38" TRACTOR - MODEL NUMBER LR125 (954001202A)

SEAT



KEY NO.	PART NO.	DESCRIPTION
1	872050411	Bolt, Carriage 1/4-20 x 1-3/8
2	532130875	Seat
4	873800500	Nut Lock Hex W/Ins 5/16-18
5	532139888	Bolt, Shoulder 5/16-18 UNC
6	532145006	Clip, Insulated
8	874760616	Bolt, Hex, Fin. 3/8-16 UNC x 1
9	532140551	Bracket, Pivot, Seat
11	819133210	Washer 12/32 x 2 x 10 Gauge
12	873800600	Nut Lock Hex W/Wsh 3/8-16
13	532120068	Knob, Seat

KEY NO.	PART NO.	DESCRIPTION
15	819171912	Washer 17/32 x 1-3/16 x 12 Gauge
16	532127018	Bolt, Shoulder
18	532123976	Nut, Hex, Large, Flange Lock
19	532121248	Bushing, Snap
20	532121250	Spring, Compression
21	532134300	Spacer, Split, Large .28 Id. x .96
22	532121246	Bracket, Switch Mounting
23	532140552	Pan, Seat

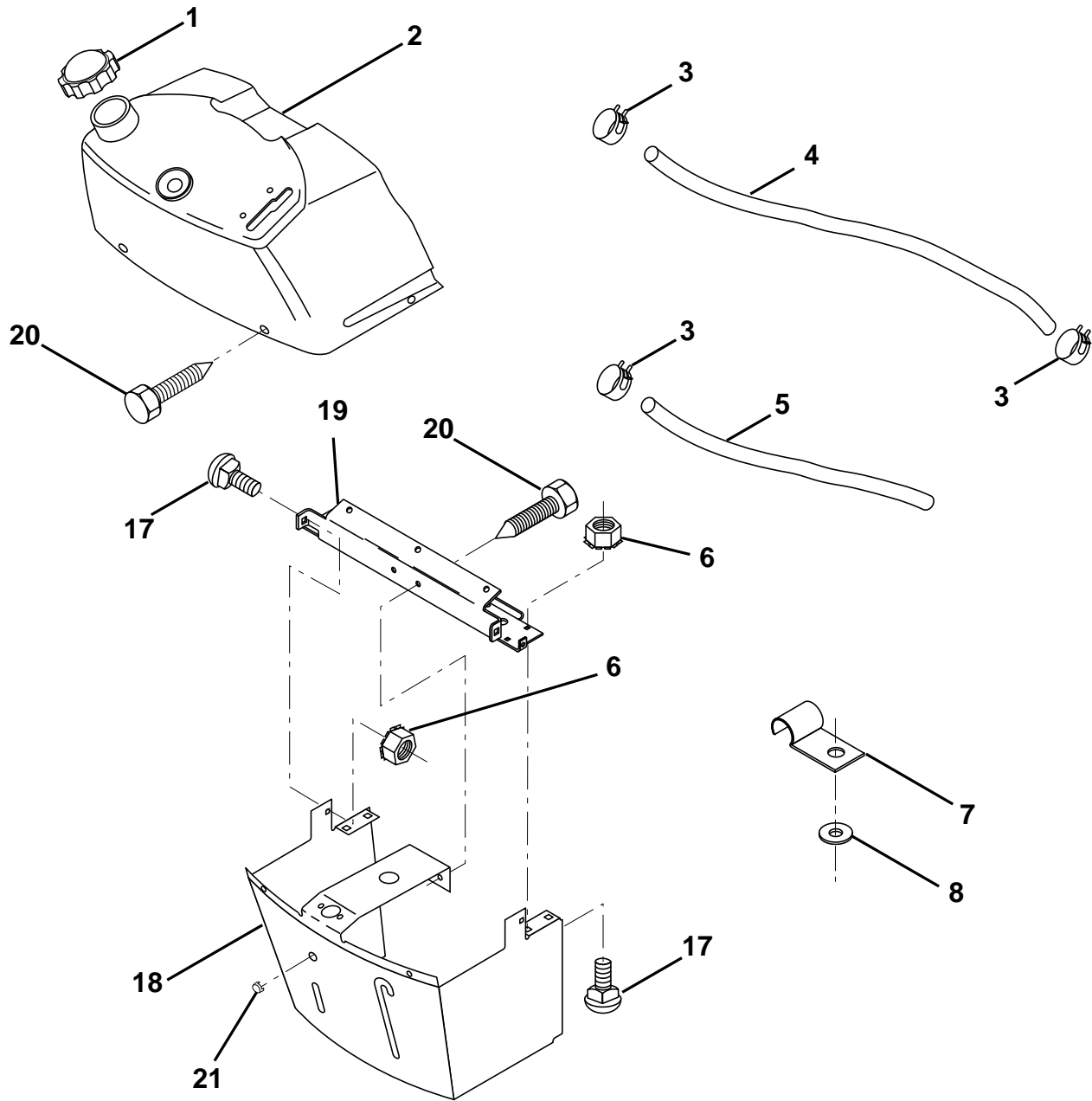
NOTE: All component dimensions given in U.S. inches
1 inch = 25.4 mm

HARDWARE SHOWN LARGER FOR EASIER IDENTIFICATION

REPAIR PARTS

12.5 HP 38" TRACTOR - MODEL NUMBER LR125 (954001202A)

DASH



KEY NO.	PART NO.	DESCRIPTION	KEY NO.	PART NO.	DESCRIPTION
1	532142187	Cap, Fuel Tank	17	872110404	Bolt, Carriage 1/4-20 x 1/2 Grade 5
2	532138395	Assembly, Dash & Fuel Tank	18	532131886	Support Assembly, Dash
3	532123487	Clamp, Hose	19	532134744	Brace, Cross
4	532008544	Line, Fuel	20	817060408	Screw, Self-Tapping 1/4-20 x 1/2
5	532008548	Line, Fuel	21	532134014	Plug, Dome, Black
6	873640400	Nut, Keps Blk Hex 1/4-20			
7	532124996	Clip, Fuel Line			
8	819091216	Washer 9/32 x 3/4 x 16 Gauge			

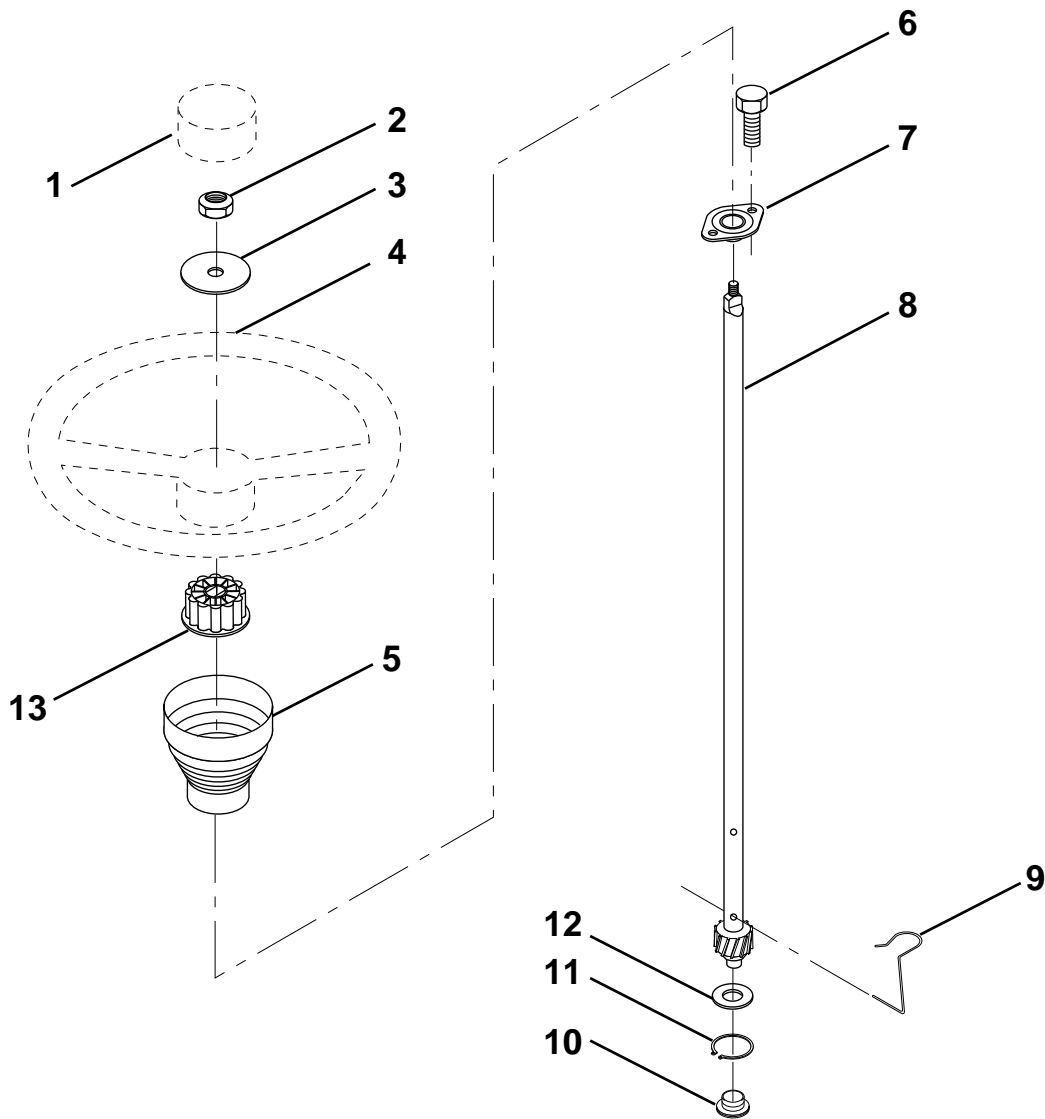
NOTE: All component dimensions given in U.S. inches
1 inch = 25.4 mm

HARDWARE SHOWN LARGER FOR EASIER IDENTIFICATION

REPAIR PARTS

12.5 HP 38" TRACTOR - MODEL NUMBER LR125 (954001202A)

STEERING WHEEL



KEY NO.	PART NO.	DESCRIPTION
1	532124416	Insert, Steering Wheel
2	532124701	Locknut 3/8-24 UNF
3	819133808	Washer 12/32 x 2-3/8 x 8 Gauge
4	532124415	Steering Wheel
5	532127396	Sleeve, Steering
6	817431008	Screw, Hex Head #10-16 x 1/2
7	532102803	Bushing, Steering
8	532123651	Shaft, Steering

KEY NO.	PART NO.	DESCRIPTION
9	532124210	Clip, Steering
10	532123438	Bushing, Lower, Steering
11	812000045	Ring, Retaining
12	819211616	Washer 21/32 x 1 x 16 Gauge
13	532104820	Adaptor, Steering Wheel

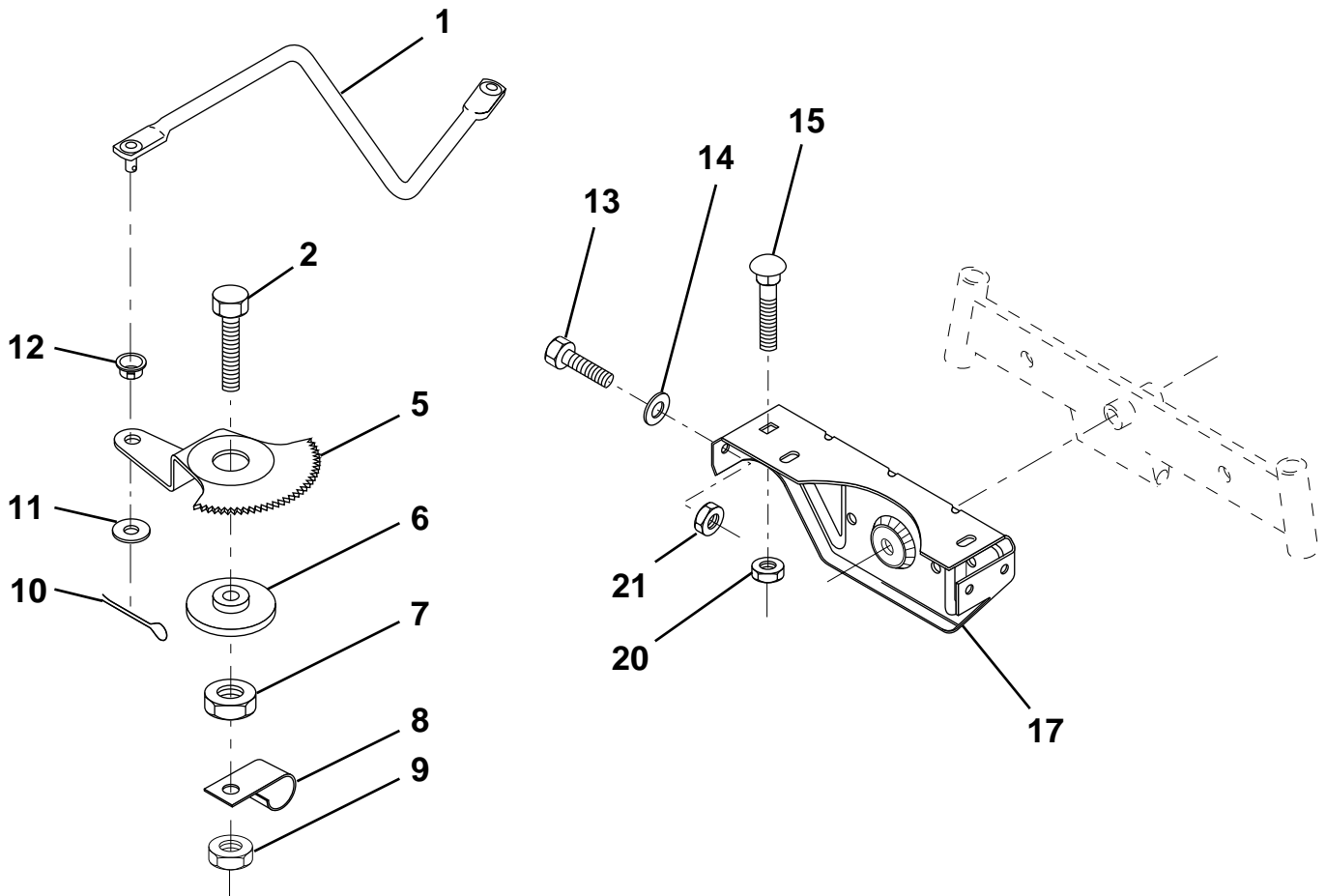
NOTE: All component dimensions given in U.S. inches
1 inch = 25.4 mm

HARDWARE SHOWN LARGER FOR EASIER IDENTIFICATION

REPAIR PARTS

12.5 HP 38" TRACTOR - MODEL NUMBER LR125 (954001202A)

SECTOR GEAR / AXLE SUPPORT



KEY NO.	PART NO.	DESCRIPTION
1	532132566	Link, Drag
2	874780828	Bolt, Hex, Fin. 1/2-13 x 1-3/4
5	532121926	Gear, Sector
6	532121927	Bushing
7	873030800	Nut, Heavy Hex, Top Lock 1/2-13 UNC
8	532126472	Clip, Insulated
9	873680800	Nut, Crownlock 3/8-16
10	876020412	Pin, Cotter 1/8 x 3/4
11	819131316	Washer 13/32 x 13/16 x 16 Gauge

KEY NO.	PART NO.	DESCRIPTION
12	532126847	Bushing
13	874760512	Bolt, Hex Head 5/16-18 UNC x 1
14	819111416	Washer 11/32 x 7/8 x 16 Gauge
15	872110606	Bolt, Carriage 3/8-16 UNC x 3/4
17	532137096	Support, Front Axle
20	873800600	Nut Lock Hex W/Wsh 3/8-16
21	873800500	Nut Lock Hex W/Ins 5/16-18

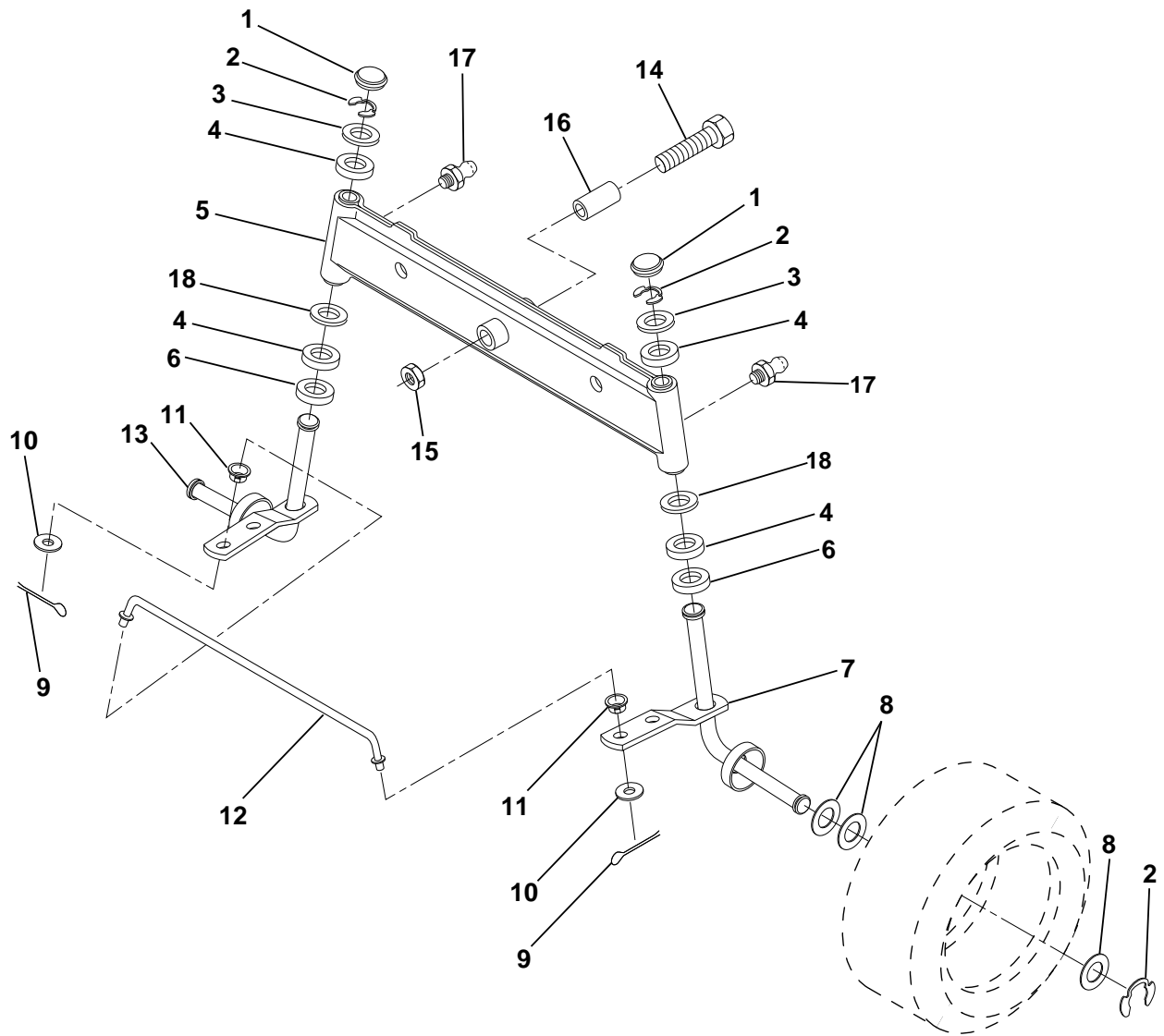
NOTE: All component dimensions given in U.S. inches
1 inch = 25.4 mm

HARDWARE SHOWN LARGER FOR EASIER IDENTIFICATION

REPAIR PARTS

12.5 HP 38" TRACTOR - - MODEL NUMBER LR125 (954001202A)

FRONT AXLE



KEY NO.	PART NO.	DESCRIPTION
1	532121232	Cap, Spindle
2	812000029	Ring, Clip
3	532121748	Washer 25/32 x 1-5/8 x 16 Gauge
4	532124937	Bearing
5	532142033	Axle, Front
6	532124931	Bearing, Thrust
7	532137062	Spindle Assembly, R.H.
8	532121749	Washer 25/32 x 1-1/4 x 16 Gauge
9	876020412	Pin, Cotter 1/8 x 3/4
10	819131316	Washer 13/32 x 13/16 x 16 Gauge
11	532126847	Bushing

KEY NO.	PART NO.	DESCRIPTION
12	532130465	Tie Rod
13	532137061	Spindle Assembly, L.H.
14	874011056	Bolt Hex 5/8-11 Unc x 3-1/2
15	873901000	Nut Lock Flange 5/8-11 Unc
16	532110438	Spacer Bearing
17	532124836	Fitting Grease
18	819272016	Washer 27/32 x 1-1/4 x 16 Ga.

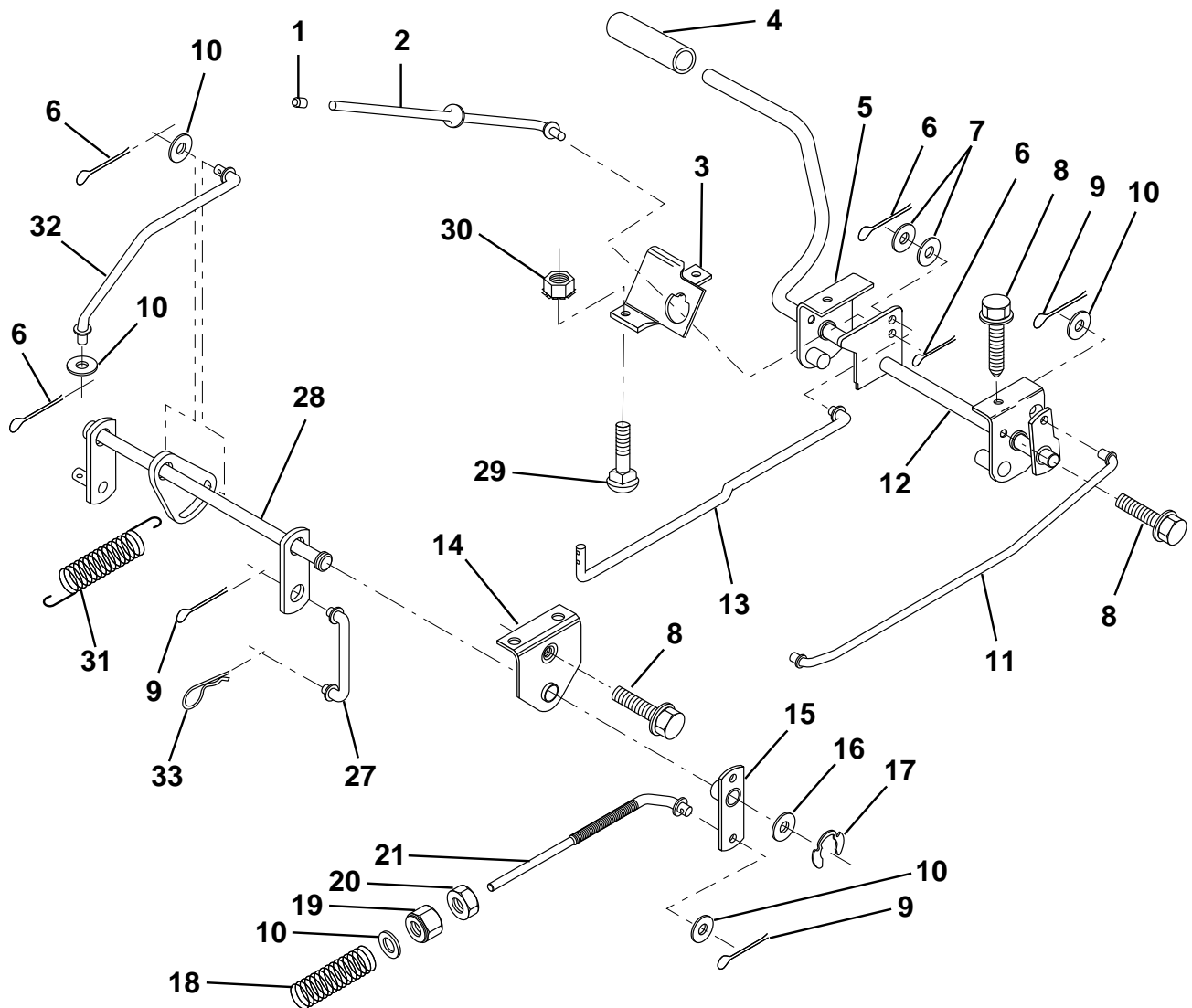
NOTE: All component dimensions given in U.S. inches
1 inch = 25.4 mm

HARDWARE SHOWN LARGER FOR EASIER IDENTIFICATION

REPAIR PARTS

12.5 HP 38" TRACTOR - MODEL NUMBER LR125 (954001202A)

BRAKE / REAR MOWER LIFT ASSEMBLY



KEY NO.	PART NO.	DESCRIPTION
1	532071673	Cap, Plunger
2	532123436	Rod, Parking Brake
3	532123437	Bracket, Parking Brake
4	532008156	Cover, Pedal
5	532132205	Bracket, Clutch/Brake Pedal, L.H.
6	876020312	Pin, Cotter 3/32 x 3/4
7	819131016	Washer 13/32 x 5/8 x 16 Gauge
8	817490508	Screw, Hex Head, Thd., Roll. 5/16-18 x 1/2
9	876020412	Pin, Cotter 1/8 x 3/4
10	819131316	Washer 13/32 x 13/16 x 16 Gauge
11	532123543	Rod, Brake, Front
12	532139934	Assembly, Clutch/Brake Pedal
13	532123394	Rod, Clutch
14	532121978	Bracket, Lift Shaft
15	532133332	Assembly, Brake, Pivot, Arm

KEY NO.	PART NO.	DESCRIPTION
16	819251816	Washer 25/32 x 1-1/8 x 16 Gauge
17	812000034	Ring, Klip
18	532106888	Spring, Brake Rod
19	873350600	Nut, Hex, Jam 3/8-16 UNC
20	873680600	Nut, Crownlock 3/8-16 UNC
21	532131460	Rod, Brake, Rear
27	532136780	Link, Lift, Rear
28	532140777	Assembly, Rear Mower Lift
29	872110506	Bolt, Carriage 5/16-18 UNC x 3/4
30	873510500	Nut, Hex, Keps 5/16-16 UNC
31	532133095	Spring, Counterbalance
32	532133721	Link, Lift Lever
33	532124670	Retainer Spring

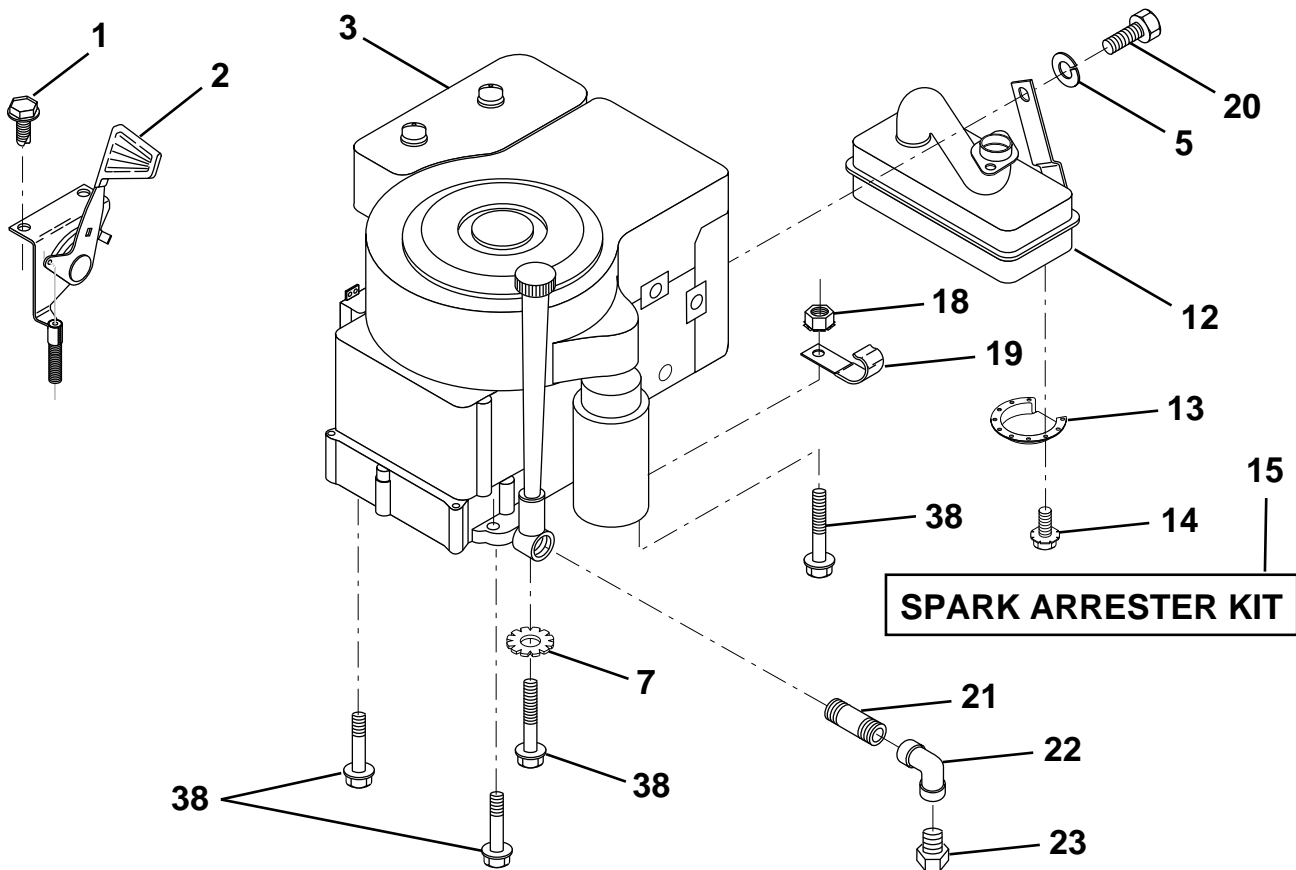
NOTE: All component dimensions given in U.S. inches
1 inch = 25.4 mm

HARDWARE SHOWN LARGER FOR EASIER IDENTIFICATION

REPAIR PARTS

12.5 HP 38" TRACTOR - - MODEL NUMBER LR125 (954001202A)

ENGINE



KEY NO.	PART NO.	DESCRIPTION
1	817060408	Screw, Head Head, Thread Cutting 1/4-20 x 1/2
2	532132752	Control, Throttle
3	-----	Engine, Kohler 12.5 Hp Model & Type No. PS1454
5	810040500	Washer, Lock, Heavy Helical Spring 5/16
7	811050600	Washer, Lock Ext. Tooth 3/8
12	532138149	Muffler
13	532144986	Deflector, Muffler
14	817030808	Screw, Spiderlock

KEY NO.	PART NO.	DESCRIPTION
15	532137180	Arrester, Spark (Optional Equipment)
18	-----	Nut, Keps
19	532124996	Clip, Line Fuel 13/32 Mtg. Hole
20	874760508	Bolt, Hex Hd. 5/16-18 x 1/2
21	813280328	Nipple, Pipe 3/8 NPT x 3-1/2
22	813200300	Elbow, STD 90 Degree 3/8-18NPT
23	-----	Nipple, Pipe (Order from eng. mfg.)
38	532125398	Bolt, Hex

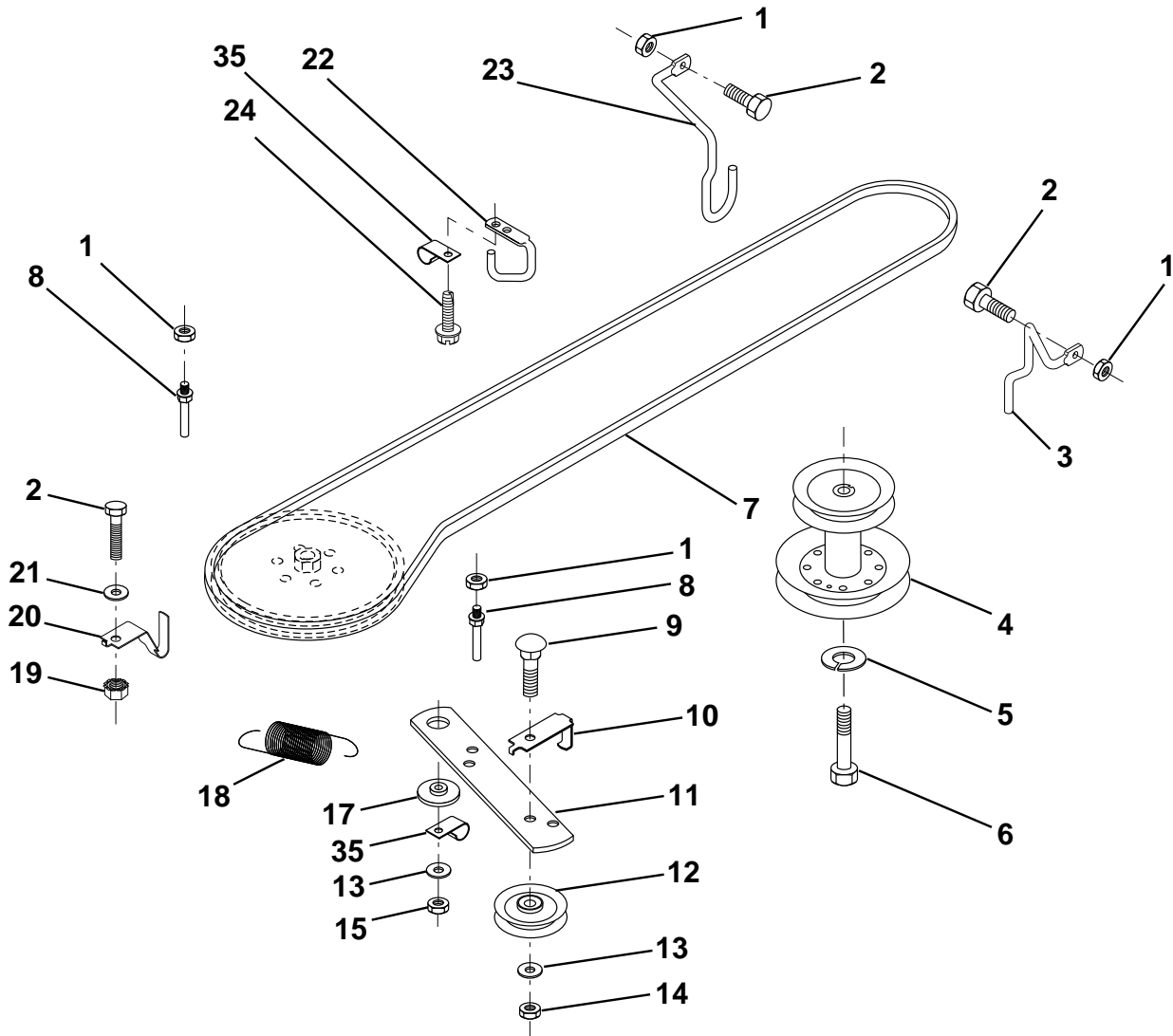
NOTE: All component dimensions given in U.S. inches
1 inch = 25.4 mm

HARDWARE SHOWN LARGER FOR EASIER IDENTIFICATION

REPAIR PARTS

12.5 HP 38" TRACTOR - - MODEL NUMBER LR125 (954001202A)

GROUND DRIVE



KEY NO.	PART NO.	DESCRIPTION
1	873680500	Nut, Corwnlock 5/16-18
2	874760512	Bolt, Hex Head 5/16-18 UNC x 3/4
3	532141341	Keeper, Mower Drive, R.H.
4	532138029	Pulley, Engine
5	810040700	Washer, Lock 7/16
6	532138887	Bolt, Fin Hex M10 x 1.5 x 75 MM
7	532124525	Traction, V-Belt Drive
8	532123405	Keeper, T/A, Ground Drive Belt
9	872140612	Bolt, Carriage 3/8-16 UNC x 1-1/2
10	532123396	Keeper, Ground Drive Belt Idler
11	532140911	Arm, Ground Drive Clutch
12	532123674	Idler, Flat
13	819131316	Washer 13/32 x 13/16 x 16 Gauge

KEY NO.	PART NO.	DESCRIPTION
14	873930600	Nut, Hex, Centerlock 3/8-16 UNC
15	873800600	Nut, Hex, Crownlock 3/8-16 UNC
17	532122052	Spacer, Retainer
18	532131459	Spring, Extension
19	873510500	Nut, Hex, Keps 5/16-18 UNC
20	532139919	Keeper, T/A, Ground Drive Belt
21	819111016	Washer 11/32 x 5/8 x 16 Gauge
22	532123404	Keeper, Frame Ground Drive Belt
23	532142240	Keeper, Belt LH Front
24	817720408	Screw, Thd. Cut 1/4-20 x 1/2
35	532126472	Clip, Insulated

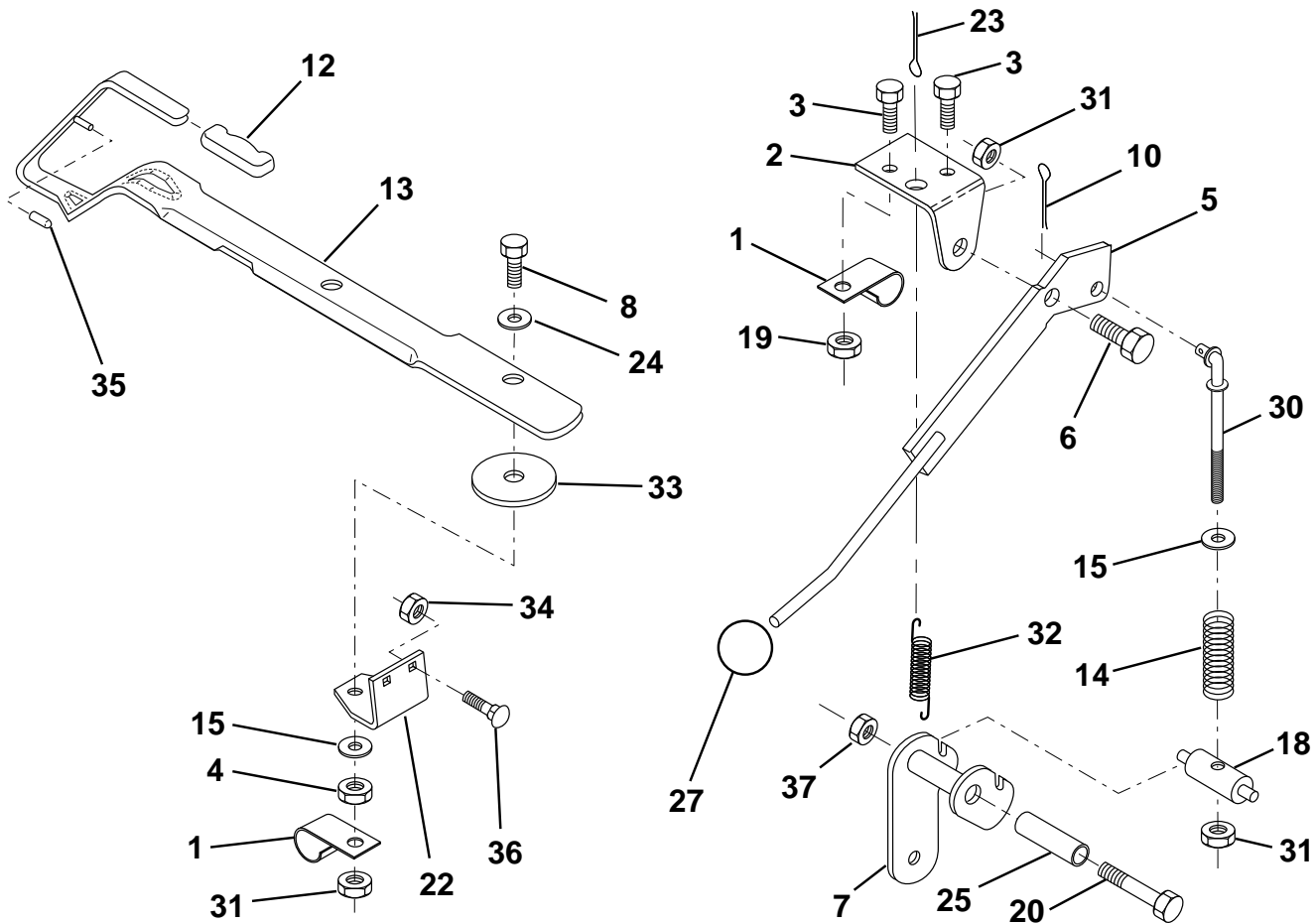
NOTE: All component dimensions given in U.S. inches
1 inch = 25.4 mm

HARDWARE SHOWN LARGER FOR EASIER IDENTIFICATION

REPAIR PARTS

12.5 HP 38" TRACTOR - - MODEL NUMBER LR125 (954001202A)

MOWER LIFT LEVER



KEY NO.	PART NO.	DESCRIPTION
1	532126470	Clip, Insulated
2	532122018	Bracket, Mower Clutch
3	871110408	Bolt, Blk Fin. Hex 1/4-20 x 1/2
4	873800600	Nut, Lock Hex w/Wsh 3/8-16
5	532132552	Assembly, Clutch Lever
6	532106451	Bolt, Shoulder
7	532141435	Assembly, Mower Clutch Arm
8	874930624	Bolt, Hex Head 3/8-16 UNC x 1-1/2
10	876020412	Pin, Cotter 1/8 x 3/4
12	532122027	Handle, Lift Lever
13	532136658	Assembly, Lift Handle
14	532133939	Spring, Compression
15	819131616	Washer 13/32 x 1 x 11 Gauge
18	532135107	Trunnion, Threaded 3/8-16
19	873680400	Nut, Crownlock 1/4-20
20	874760644	Bolt, Hex Hd Fin 3/8-16 UNC x 2-3/4

KEY NO.	PART NO.	DESCRIPTION
22	532132561	Bracket, Lift Lever
23	876020312	Pin, Cotter 3/32 x 3/4
24	532007672	Washer 25/64 x 1-1/4 x 12 Gauge
25	532121933	Tube, Spacer
27	532121466	Knob
30	532135039	Rod, Tension, Clutch
31	873800600	Nut, Lock Hex W/Ins. 3/8-16
32	532133435	Spring, Extension, Return
33	532062333	Washer .390 x 1.437 x .074
34	873800500	Nut, Lock Hex w/Ins 5/16-18
35	532133603	Cap, Vinyl, Red
36	872140506	Bolt, Carriage 5/16-18 x 3/4
37	873800600	Nut, Lock Hex W/Ins. 3/8-16

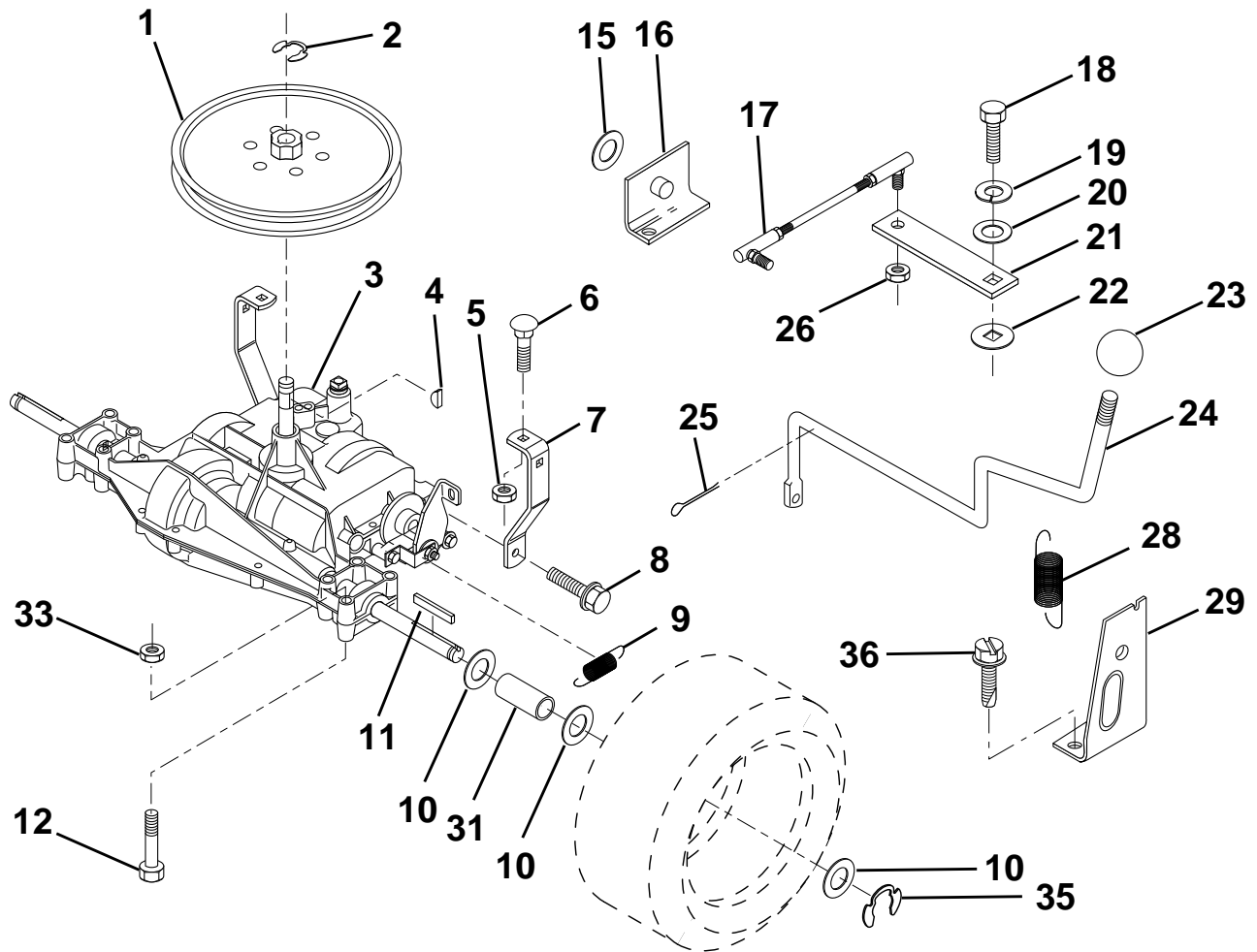
NOTE: All component dimensions given in U.S. inches
1 inch = 25.4 mm

HARDWARE SHOWN LARGER FOR EASIER IDENTIFICATION

REPAIR PARTS

12.5 HP 38" TRACTOR - - MODEL NUMBER LR125 (954001202A)

TRANSAXLE



KEY NO.	PART NO.	DESCRIPTION	KEY NO.	PART NO.	DESCRIPTION
1	532123385	Pulley	19	810040400	Washer, Lock 1/4
2	812000028	Ring, Retainer	20	819091210	Washer 9/32 x 3/4 x 10 Gauge
3	532142603	Transaxle, Dana Model No. 4360-79	21	532123539	Arm, Shift
4	532125096	Key, Woodruff #9	22	532105701	Washer, Shift Plate
5	873800500	Nut,Lock Hex w/Ins 5/16-18	23	532121247	Knob, Duckhead
6	872140506	Bolt, Carriage 5/16-18 UNC x 3/4	24	532128215	Rod Assembly, Shift
7	532123378	Strap, Torque	25	876020416	Pin, Cotter 1/8 x 1
8	817490512	Screw 5/16-18 x 3/4	26	873810500	Locknut 5/16-24 UNF
9	532110422	Spring, Brake	28	532128085	Extension, Spring
10	532121749	Washer 25/32 x 1-1/4 x 16 Gauge	29	532128084	Support Handle Shift, RH
11	532123583	Key, Square	31	532109502	Spacer Split
12	874760644	Bolt, Hex, Fin. 3/8-16 Unc x 2-3/4	33	873680600	Nut, Crownlock 3/8-16 UNC
15	819171616	Washer 17/32 x 1 x 16 Gauge	35	812000001	E-Ring
16	532124600	Support Handle Shift, LH	36	817720408	Screw, Thd. Cut 1/4-20 x 1/2
17	532123632	Link, Shift			
18	871040412	Bolt, Hex, Fin. 1/4-28 UNF x 3/4 Grade 8			

NOTE: All component dimensions given in U.S. inches
1 inch = 25.4 mm

HARDWARE SHOWN LARGER FOR EASIER IDENTIFICATION

REPAIR PARTS

12.5 HP 38" TRACTOR - - MODEL NUMBER LR125 (954001202A)

MOWER DECK

KEY NO.	PART NO.	DESCRIPTION	KEY NO.	PART NO.	DESCRIPTION
1	532142830	Mower Deck Assembly	38	532133840	Idler Arm
2	873800500	Nut, Lock Hex w/Ins 5/16-18	39	532129963	Washer .150 Thick
3	872140506	Bolt, Carriage 5/16-18 x 3/4	40	532129206	Pulley, Mandrel
4	532125074	Runner, L.H.	41	532137266	Nut, Flangelock 9/16
5	532110485	Bearing	42	532121316	Pulley, Flat Idler
6	532128774	Housing, Mandrel	43	532122052	Spacer, Retainer
7	532129895	Bearing	44	819131612	Washer 13/32 x 1 x 12 Gauge
8	532137645	Shaft and Bearing Assembly, Mandrel (Includes Key Number 7)	45	873800600	Nut, Lock Hex w/Wsh 3/8-16
9	532134148	Blade	46	532126520	Belt
10	532140296	Washer, Hardened	47	532133502	Spacer, Idler Arm
11	810030600	Washer, Lock 3/8	48	532133503	Stiffener, Idler Arm
12	532850857	Bolt, Hex 3/8-24 x 1-1/4 Grade 8	49	532133551	Rod, Pivot
13	532140329	Stripper, Mower, Vented	50	532131289	Rod, Brake, L.H.
14	532106736	Shield, Deflector	51	532130840	Brake Assembly
15	532106735	Rod, Hinge	52	817490512	Screw, Hex Washer Head, Thd., Roll. 5/16-18 x 3/4
16	532137607	Bracket Assembly, Deflector	53	532131288	Rod, Brake, R.H.
17	532110452	Pushnut	54	872110614	Bolt, Carriage 3/8-16 x 1-3/4 Grade 5
18	532123713	Spring, Deflector	55	532124961	Spring, Retainer
19	819111016	Washer 11/32 x 5/8 x 16 Gauge	56	532136782	Adjustment Plate, Rear Link, L.H.
20	532105304	Cap, Sleeve	57	872140608	Bolt, Carriage 3/8-16 x 1
21	532128772	Runner, R.H.	58	819131212	Washer 13/32 x 3/4 x 12 Gauge
22	819111216	Washer 11/32 x 3/4 x 16 Gauge	59	873800500	Locknut, Hex, with Washer Insert 5/16-18
23	532138776	Screw, Thdrol. Hex Hd. Zinc Mwr	60	819111112	Washer 11/32 x 11/16 x 12 Gauge
24	532124670	Retainer, Spring	62	532124660	Retainer, Spring
25	874600636	Bolt, Carriage 3/8-16 x 2-1/4	63	532124788	Retainer, Spring
26	819131612	Washer 13/32 x 1 x 12 Gauge	70	819162016	Washer 1/2 x 1-1/4 x 16 Gauge
27	532139756	Link Assembly, Front	71	819131610	Washer, Flat 13/32 x 1 x 10 Gauge
28	872140608	Bolt, RdHd SqNk 3/8-16 x 1	72	532133943	Washer, Hardened
29	532139757	Plate, Slide Link	--	532130794	Mandrel Assembly (Includes Key Numbers 5-8, 10-12, 39 and 41)
30	873800600	Nut, Lock Hex w/Wsh 3/8-16	--	532144975	Mower Deck, Complete (Standard Mower Deck)
31	532140915	Clutch Rod, Primary			
32	873350600	Nut, Hex, Jam 3/8-16			
33	532132559	Arm, Suspension, Rear			
34	532133604	Trunnion 3/8-16			
35	532132554	Clutch Rod, Secondary			
36	819131316	Washer 13/32 x 13/16 x 16 Gauge			
37	876020312	Pin, Cotter 3/32 x 3/4			

NOTE: All component dimensions given in U.S. inches
1 inch = 25.4 mm

HARDWARE SHOWN LARGER FOR EASIER IDENTIFICATION

REPAIR PARTS

12.5 HP 38" TRACTOR - - MODEL NUMBER LR125 (954001202A)

TRANSAXLE DANA, MODEL NO. 4360-79

